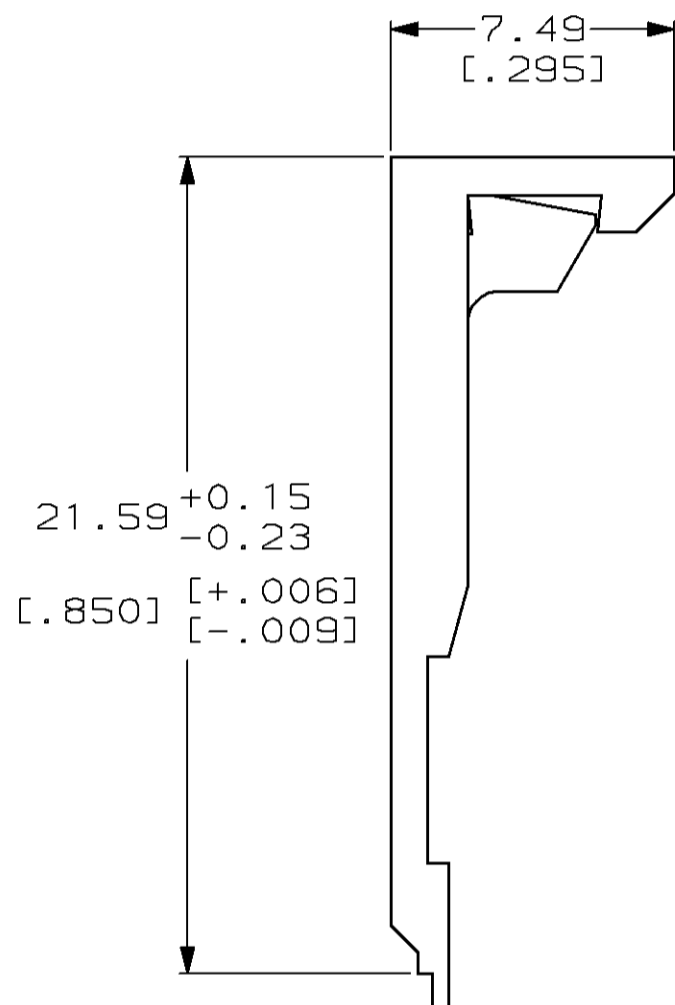
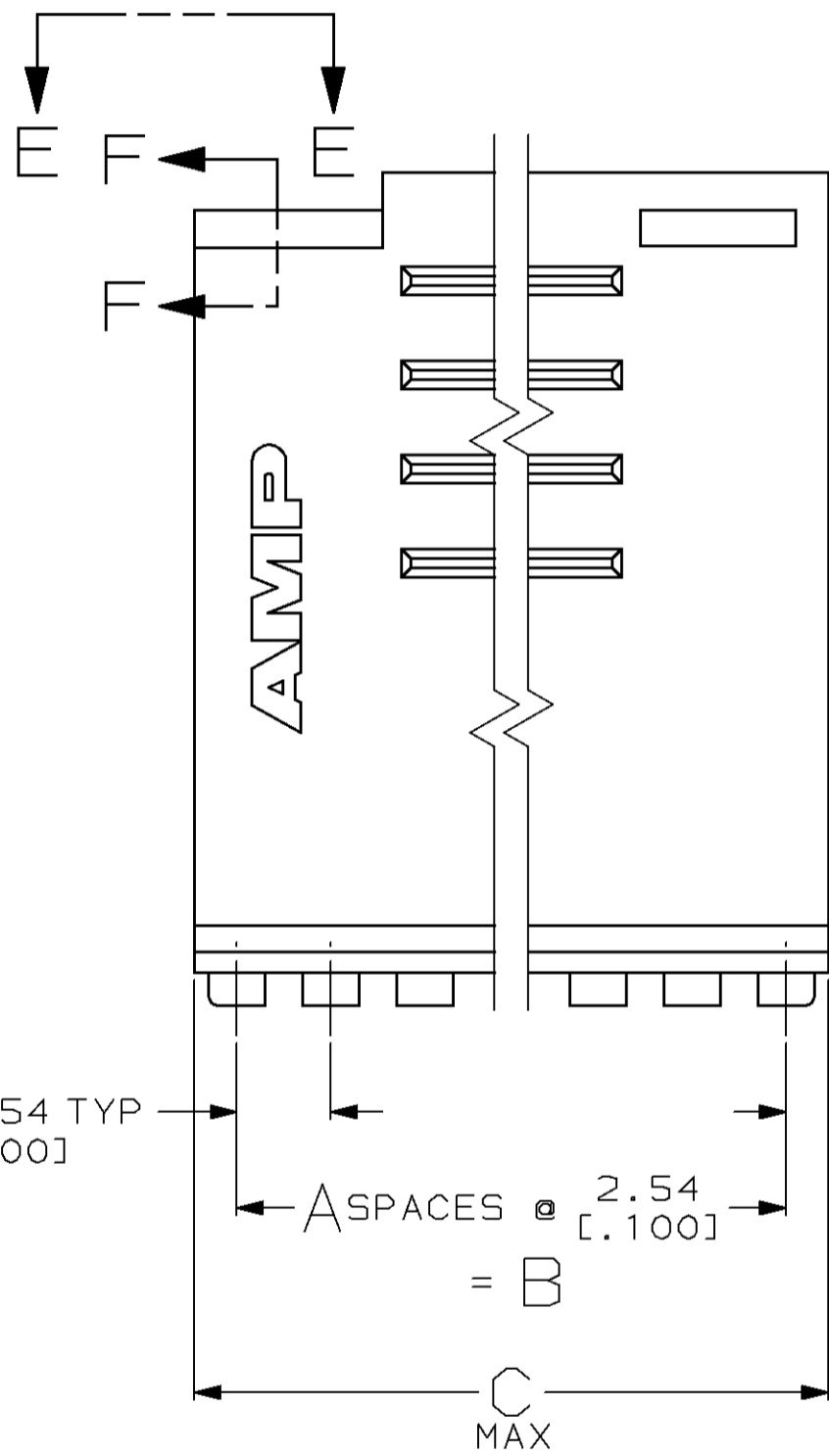
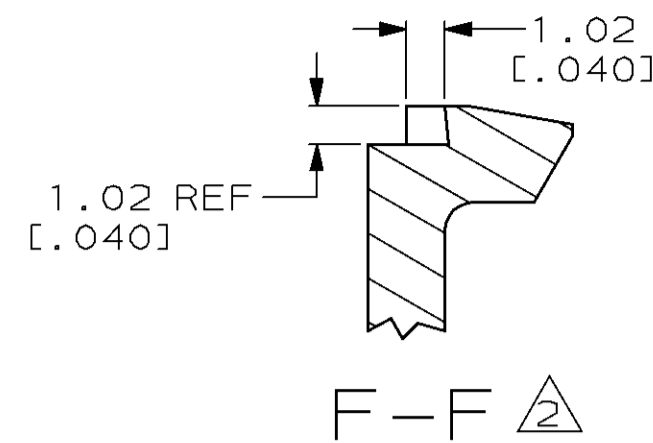
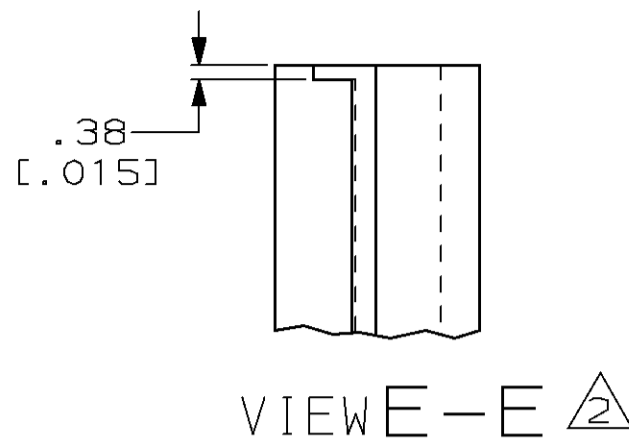
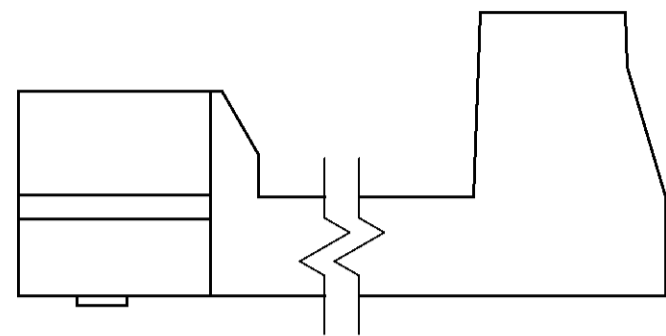


THIS DRAWING IS UNPUBLISHED. RELEASED FOR PUBLICATION
 © COPYRIGHT 19 BY AMP INCORPORATED. ALL RIGHTS RESERVED.

REVISONS		DATE	DNN	APVD
P	LTR	DESCRIPTION		
	G	REV PER 0010-1297-94	9-13-94	EB JH
	H	REV PER 0010-0483-95	5-17-95	EB JH
	J	REV PER 0010-0836-96	6-2-96	EB JH
	K	REV PER 0310-0460-97	18JUN98	BH WO



OBSOLETE	91.44 [3.600]	88.90 [3.500]	35	72	3-102396-4
OBSOLETE	88.90 [3.500]	86.36 [3.400]	34	70	3-102396-3
OBSOLETE	86.36 [3.400]	83.82 [3.300]	33	68	3-102396-2
OBSOLETE	83.82 [3.300]	81.28 [3.200]	32	66	3-102396-1
	81.28 [3.200]	78.74 [3.100]	31	64	3-102396-0
OBSOLETE	78.74 [3.100]	76.20 [3.000]	30	62	2-102396-9
	76.20 [3.000]	73.66 [2.900]	29	60	2-102396-8
OBSOLETE	73.66 [2.900]	71.12 [2.800]	28	58	2-102396-7
OBSOLETE	71.12 [2.800]	68.58 [2.700]	27	56	2-102396-6
OBSOLETE	68.58 [2.700]	66.04 [2.600]	26	54	2-102396-5
OBSOLETE	66.04 [2.600]	63.50 [2.500]	25	52	2-102396-4
	63.50 [2.500]	60.96 [2.400]	24	50	2-102396-3
OBSOLETE	60.96 [2.400]	58.42 [2.300]	23	48	2-102396-2
OBSOLETE	58.42 [2.300]	55.88 [2.200]	22	46	2-102396-1
OBSOLETE	55.88 [2.200]	53.34 [2.100]	21	44	2-102396-0
OBSOLETE	53.34 [2.100]	50.80 [2.000]	20	42	1-102396-9
	50.80 [2.000]	48.26 [1.900]	19	40	1-102396-8
OBSOLETE	48.26 [1.900]	45.72 [1.800]	18	38	1-102396-7
OBSOLETE	45.72 [1.800]	43.18 [1.700]	17	36	1-102396-6
	43.18 [1.700]	40.64 [1.600]	16	34	1-102396-5
	40.64 [1.600]	38.10 [1.500]	15	32	1-102396-4
	38.10 [1.500]	35.56 [1.400]	14	30	1-102396-3
	35.56 [1.400]	33.02 [1.300]	13	28	1-102396-2
	33.02 [1.300]	30.48 [1.200]	12	26	1-102396-1
	30.48 [1.200]	27.94 [1.100]	11	24	1-102396-0
	27.94 [1.100]	25.40 [1.000]	10	22	102396-9
	25.40 [1.000]	22.86 [0.900]	9	20	102396-8
	22.86 [0.900]	20.32 [0.800]	8	18	102396-7
	20.32 [0.800]	17.78 [0.700]	7	16	102396-6
	17.78 [0.700]	15.24 [0.600]	6	14	102396-5
	15.24 [0.600]	12.70 [0.500]	5	12	102396-4
	12.70 [0.500]	10.16 [0.400]	4	10	102396-3
	10.16 [0.400]	7.62 [0.300]	3	8	102396-2
	7.62 [0.300]	5.08 [0.200]	2	6	102396-1

C	B	A	REF NO OF POSN	PART NUMBER
COVER DIMENSIONS				

1 THIS COVER IS TO BE USED IN PAIRS, WITH A DOUBLE ROW HOUSING. NUMBER OF POSITIONS INDICATED PERTAINS TO THE HOUSING.
 2 THESE VIEWS APPLY TO -1 AND -2 ONLY.

<small>THIS DRAWING IS A CONTROLLED DOCUMENT FOR AMP INCORPORATED. IT IS SUBJECT TO CHANGE AND THE CONTROLLING ENGINEERING ORGANIZATION SHOULD BE CONTACTED FOR THE LATEST REVISION.</small>		DWN E. BRANDBERG 9-13-94 CHK J. HERRINGTON 9-13-94 APVD J. HERRINGTON 9-13-94	AMP AMP Incorporated Harrisburg, PA 17105-3608
DIMENSIONS: mm [INCHES]	TOLERANCES UNLESS OTHERWISE SPECIFIED: 0 PLC ±- 1 PLC ±- 2 PLC ±0.13 [0.005] 3 PLC ±- 4 PLC ±- ANGLES ±- FINISH -	PRODUCT SPEC - APPLICATION SPEC - WEIGHT -	NAME COVER MASS TERMINATION AMPMODU 2.54 [0.100] ⌀
MATERIAL FLAME RETARDANT THERMOPLASTIC, COLOR - BLACK		SIZE A2 CAGE CODE 00779 DRAWING NO. C=102396	SCALE 5:1 SHEET 1 OF 1 REV K
CUSTOMER DRAWING			